

TRAFALGAR



MaxiLite FIRE RATED BULK HEAD SYSTEMS

UTILISING LIGHTWEIGHT 30mm BOARD

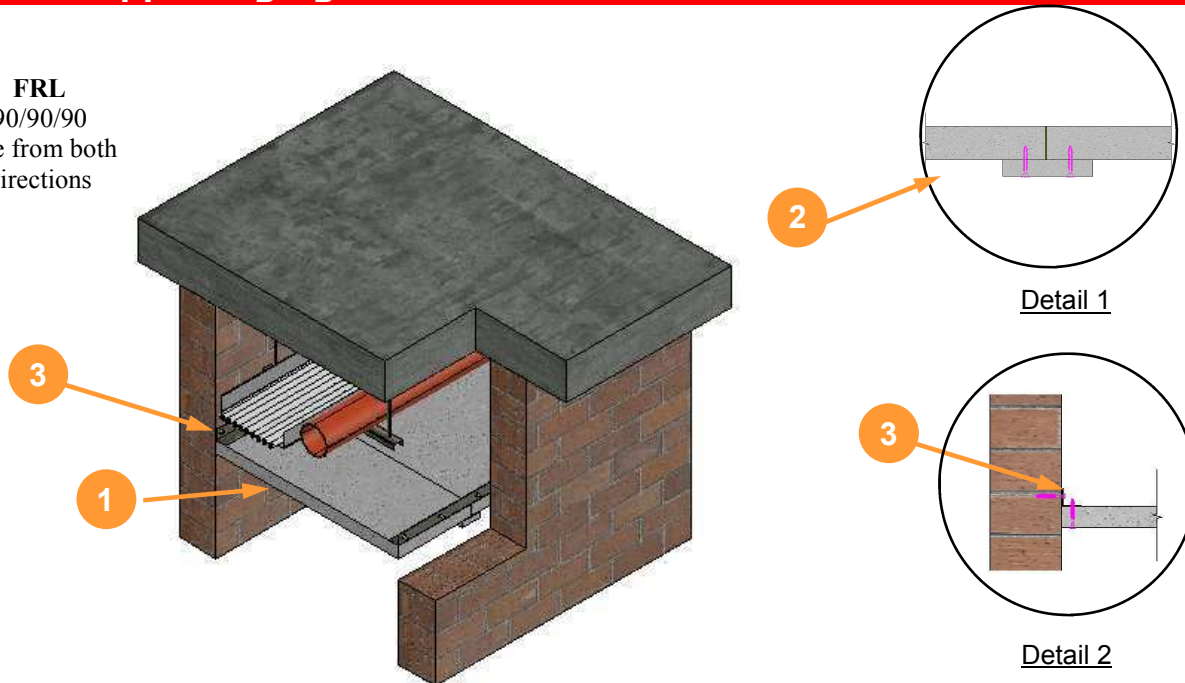
Up to 90 Minutes Fire Protection
(to AS 1530.4- 2005)

Horizontal one-sided bulkheads 30mm thick Maxilite boards, up to 1500mm wide



Self-supporting system

FRL
90/90/90
Fire from both
directions



Key:

- 1 Maxilite boards, 30mm thick
- 2 Cover Strips (Detail 1)
- 3 Steel angles, 50mm x 50mm x 0.8mm (Detail 2)

Maxilite board	30mm thick board for 90 minute fire rating. Boards are joined together using rebate or butt joints incorporating approved fire rated sealant in all joints. Boards are screw-fixed to steel angles at max. 200mm centres.
Corners	Corners fixed to steel angles with self tapping screws at 200mm centres.
Joints	Boards are joined by butt joints incorporating approved fire rated sealant. Cover strips are fixed over the joint.
Cover strips	20 or 30mm Maxilite or 9mm Orbit FR x 100mm wide fixed to outside of joint. Strips are secured to both sides of the joint at max. 200mm centres.
Steel angles	50mm x 50mm x 0.8mm (minimum guage), fixed to masonry, concrete or plasterboard at max. 400mm centres and screw-fixed to boards.
Fixings	<ul style="list-style-type: none"> - Board to board / steel angle: minimum M4 - 70mm self tapping screws at 200mm centres. Allow 10 to 15mm from edges of Maxilite board. - Steel angle to masonry or concrete: minimum M6 anchor bolts at 400mm centres. - Steel angle to plasterboard: minimum M4 - 70mm self tapping screws at 400mm centres.

BULKHEAD — HORIZONTAL

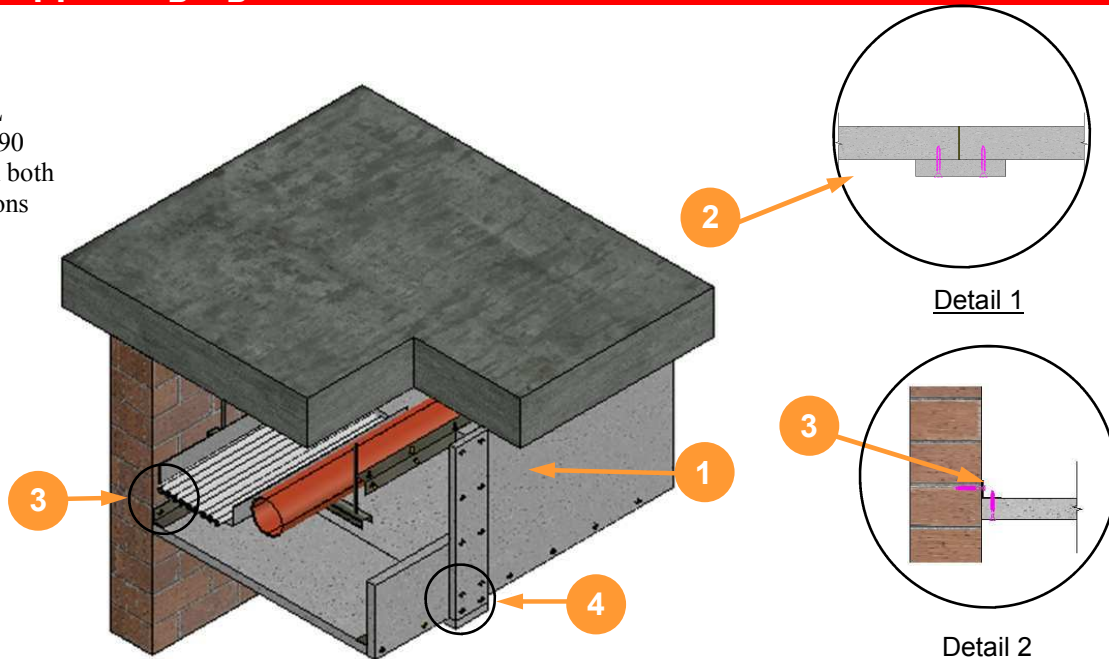
Horizontal two-sided bulkheads

30mm thick Maxilite boards, up to 1500mm x 1500mm



Self-supporting system

FRL
90/90/90
Fire from both
directions



Key:

- 1 Maxilite boards, 30mm thick
- 2 Cover Strips (Detail 1)
- 3 Steel angles, 50mm x 50mm x 0.8mm (Detail 2)
- 4 Butt joint

Maxilite board	30mm thick board for 90 minute fire rating. Boards are joined together using rebate or butt joints incorporating approved fire rated sealant in all joints. Boards are screw-fixed to steel angles at max. 200mm centres.
Corners	Corners fixed to steel angles with self tapping screws at 200mm centres.
Joints	Boards are joined by butt joints incorporating approved rated sealant. Cover strips are fixed over the joint.
Cover strips	20 or 30mm Maxilite or 9mm Orbit FR x 100mm wide fixed to outside of joint. Strips are secured to both sides of the joint at max. 200mm centres.
Steel angles	50mm x 50mm x 0.8mm (minimum guage), fixed to masonry, concrete or plasterboard at max. 400mm centres and screw-fixed to boards.
Fixings	<ul style="list-style-type: none"> - Board to board / steel angle: minimum M4 - 70mm self tapping screws at 200mm centres. Allow 10 to 15mm from edges of Maxilite board. - Steel angle to masonry or concrete: minimum M6 anchor bolts at 400mm centres. - Steel angle to plasterboard: minimum M4 - 70mm self tapping screws at 400mm centres.

BULKHEAD — HORIZONTAL

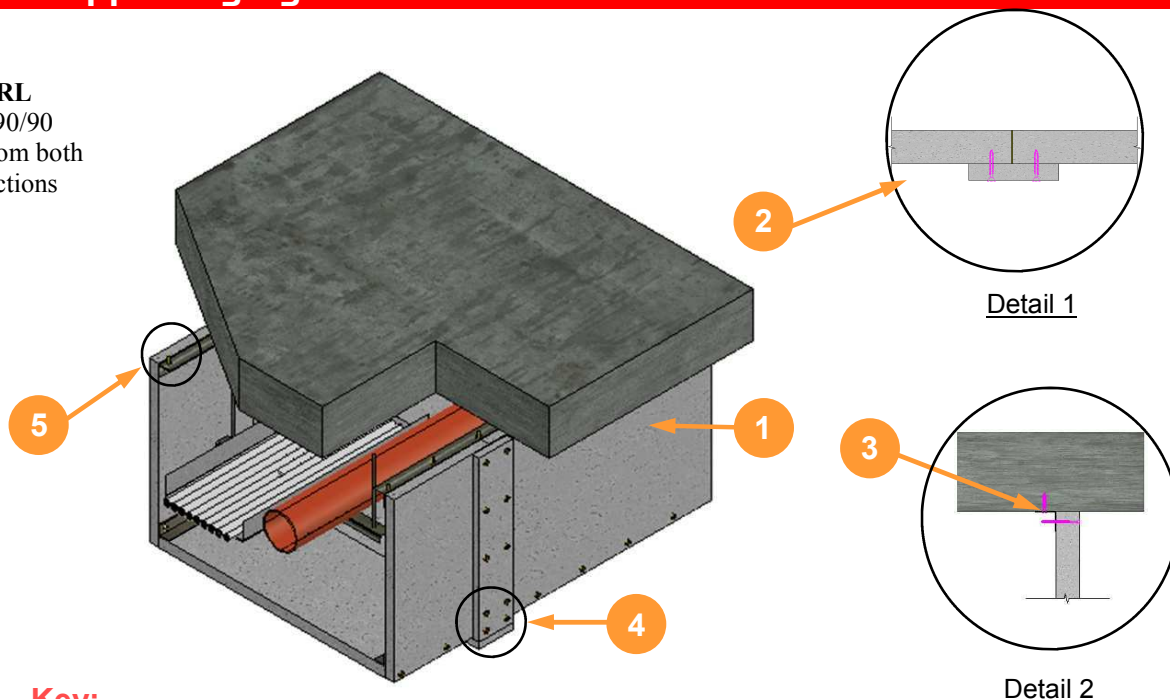
Horizontal three-sided bulkhead

30mm thick Maxilite boards, up to 1500mm x 1500mm



Self-supporting system

FRL
90/90/90
Fire from both
directions



Key:

- 1 Maxilite boards, 30mm thick
- 2 Cover Strips (Detail 1)
- 3 Steel angles, 50mm x 50mm x 0.8mm (Detail 2)
- 4 Butt joint
- 5 Angle fixing details

Maxilite board	30mm thick board for 90 minute fire rating. Boards are joined together using rebate or butt joints incorporating approved fire rated sealant in all joints. Boards are screw-fixed to steel angles at max. 200mm centres.
Corners	Corners fixed to steel angles with self tapping screws at 200mm centres.
Joints	Boards are joined by butt joints incorporating approved fire rated sealant. Cover strips are fixed over the joint.
Cover strips	20 or 30mm Maxilite or 9mm Orbit FR x 100mm wide fixed to outside of joint. Strips are secured to both sides of the joint at max. 200mm centres.
Steel angles	50mm x 50mm x 0.8mm (minimum guage), fixed to masonry, concrete or plasterboard at max. 400mm centres and screw-fixed to boards.
Fixings	<ul style="list-style-type: none"> - Board to board / steel angle: minimum M4 - 70mm self tapping screws at 200mm centres. Allow 10 to 15mm from edges of Maxilite board. - Steel angle to masonry or concrete: minimum M6 anchor bolts at 400mm centres. - Steel angle to plasterboard: minimum M4 - 70mm self tapping screws at 400mm centres.

BULKHEAD — HORIZONTAL

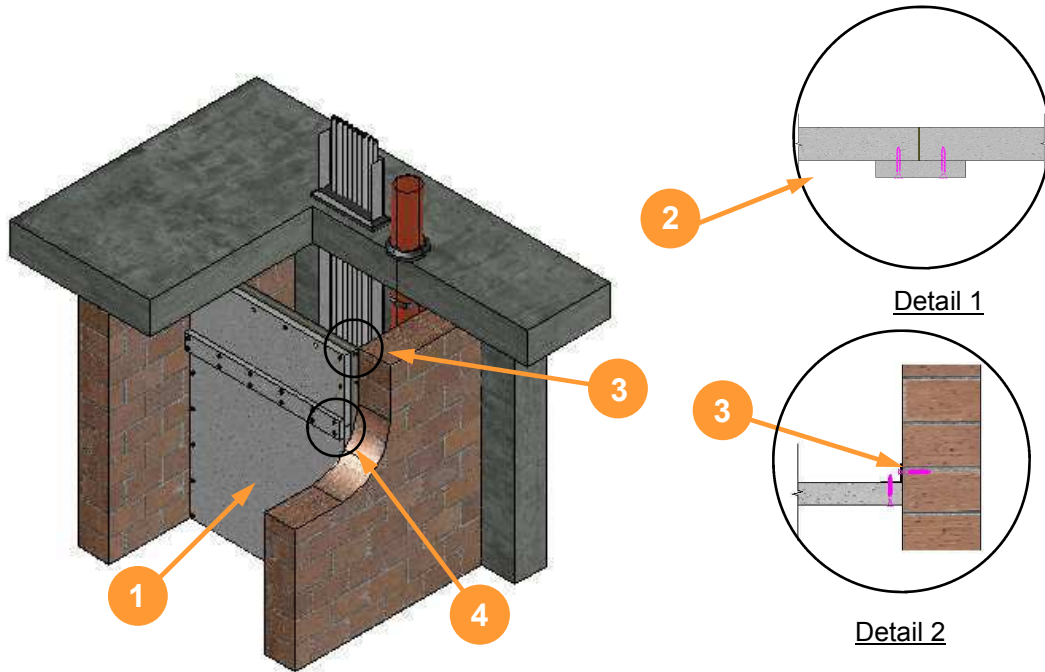
Vertical one-sided bulkheads

30mm thick Maxilite boards, up to 1500mm wide



Self-supporting system

FRL
90/90/90
Fire from both
directions



Key:

- 1 Maxilite boards, 30mm thick
- 2 Cover Strips (Detail 1)
- 3 Steel angles, 50mm x 50mm x 0.8mm (Detail 2)
- 4 Rebate or butt joint detail options

Maxilite board	30mm thick board for 90 minute fire rating. Boards are joined together using rebate or butt joints incorporating approved fire rated sealant in all joints. Boards are screw-fixed to steel angles at max. 200mm centres.
Corners	Corners fixed to steel angles with self tapping screws at 200mm centres.
Joints	Boards are joined by butt joints incorporating approved fire rated sealant. Cover strips are fixed over the joint.
Cover strips	20 or 30mm Maxilite or 9mm Orbit FR x 100mm wide fixed to outside of joint. Strips are secured to both sides of the joint at max. 200mm centres.
Steel angles	50mm x 50mm x 0.8mm (minimum guage), fixed to masonry, concrete or plasterboard at max. 400mm centres and screw-fixed to boards.
Fixings	<ul style="list-style-type: none"> - Board to board / steel angle: minimum M4 - 70mm self tapping screws at 200mm centres. Allow 10 to 15mm from edges of Maxilite board. - Steel angle to masonry or concrete: minimum M6 anchor bolts at 400mm centres. - Steel angle to plasterboard: minimum M4 - 70mm self tapping screws at 400mm centres.

BULKHEAD — VERTICAL

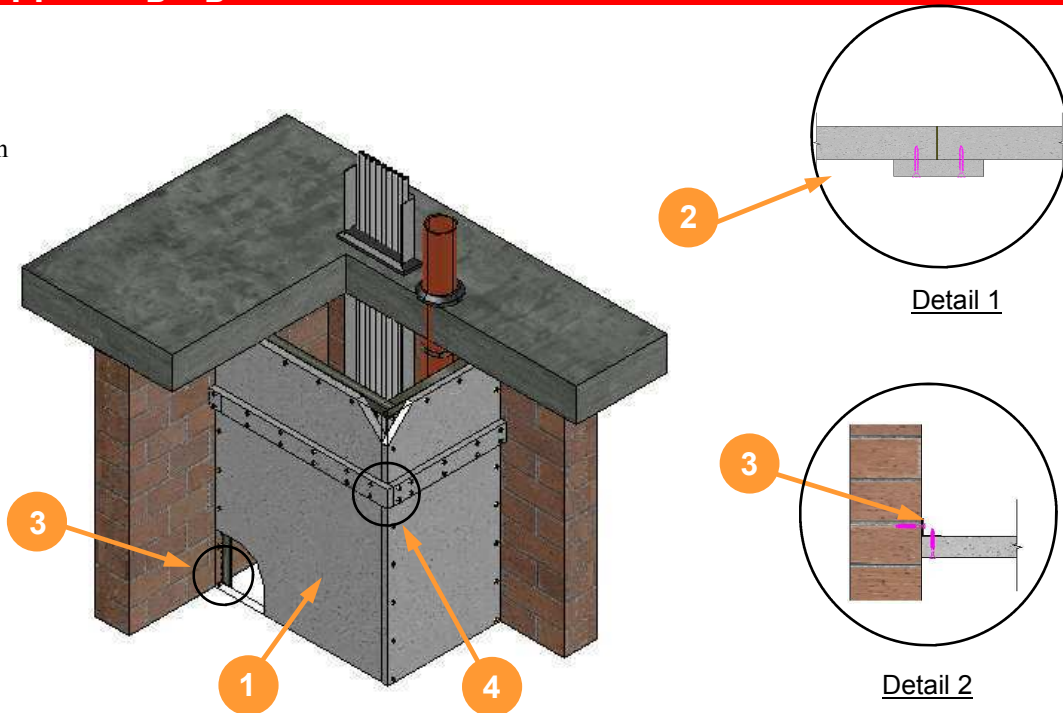
Vertical two-sided bulkheads

30mm thick Maxilite boards, up to 1500mm x 1500mm



Self-supporting system

FRL
90/90/90
Fire from both
directions



Key:

- 1 Maxilite boards, 30mm thick
- 2 Cover Strips (Detail 1)
- 3 Steel angles, 50mm x 50mm x 0.8mm (Detail 2)
- 4 Butt joint

Maxilite board	30mm thick board for 90 minute fire rating. Boards are joined together using rebate or butt joints incorporating approved fire rated sealant in all joints. Boards are screw-fixed to steel angles at max. 200mm centres.
Corners	Corners fixed to steel angles with self tapping screws at 200mm centres.
Joints	Boards are joined by butt joints incorporating approved fire rated sealant. Cover strips are fixed over the joint.
Cover strips	20 or 30mm Maxilite or 9mm Orbit FR x 100mm wide fixed to outside of joint. Strips are secured to both sides of the joint at max. 200mm centres.
Steel angles	50mm x 50mm x 0.8mm (minimum guage), fixed to masonry, concrete or plasterboard at max. 400mm centres and screw-fixed to boards.
Fixings	<ul style="list-style-type: none"> - Board to board / steel angle: minimum M4 - 70mm self tapping screws at 200mm centres. Allow 10 to 15mm from edges of Maxilite board. - Steel angle to masonry or concrete: minimum M6 anchor bolts at 400mm centres. - Steel angle to plasterboard: minimum M4 - 70mm self tapping screws at 400mm centres.

BULKHEAD — VERTICAL

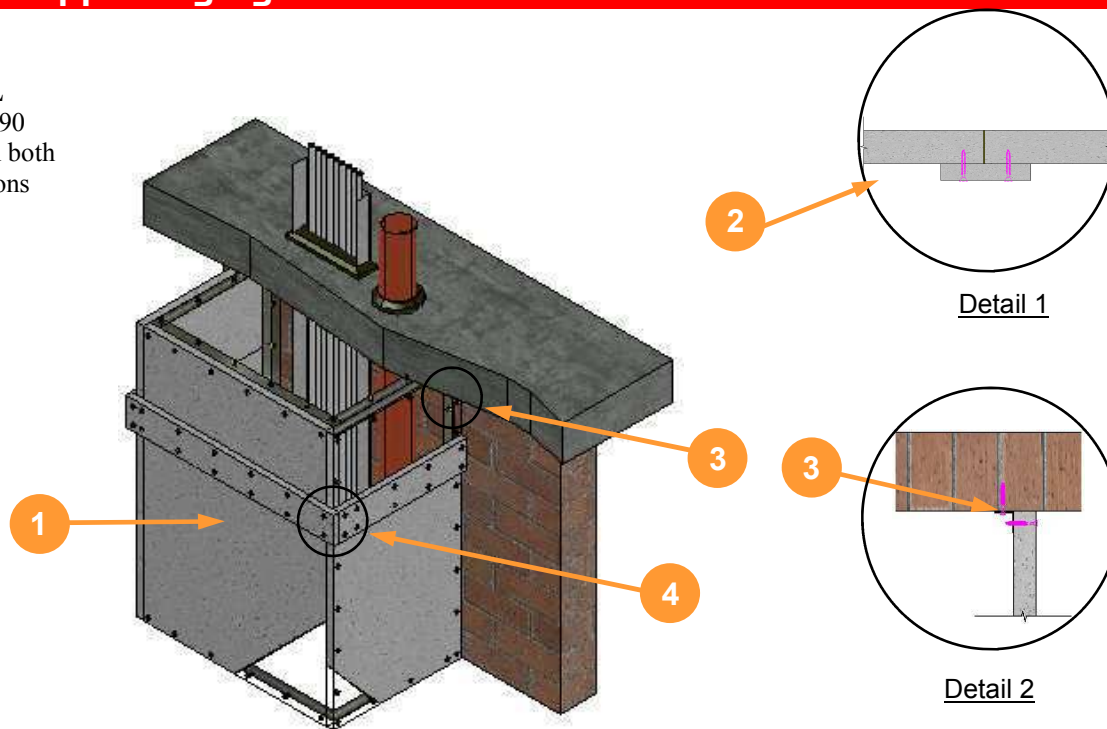
Vertical three-sided bulkheads

30mm thick Maxilite boards, up to 1500mm x 1500mm



Self-supporting system

FRL
90/90/90
Fire from both
directions



Key:

- 1 Maxilite boards, 30mm thick
- 2 Cover Strips (Detail 1)
- 3 Steel angles, 50mm x 50mm x 0.8mm (Detail 2)
- 4 Butt joint

Maxilite board	30mm thick board for 90 minute fire rating. Boards are joined together using rebate or butt joints incorporating approved fire rated sealant in all joints. Boards are screw-fixed to steel angles at max. 200mm centres.
Corners	Corners fixed to steel angles with self tapping screws at 200mm centres.
Joints	Boards are joined by butt joints incorporating approved fire rated sealant. Cover strips are fixed over the joint.
Cover strips	20 or 30mm Maxilite or 9mm Orbit FR x 100mm wide fixed to outside of joint. Strips are secured to both sides of the joint at max. 200mm centres.
Steel angles	50mm x 50mm x 0.8mm (minimum size), fixed to masonry, concrete or plasterboard at max. 400mm centres and screw-fixed to boards.
Fixings	<ul style="list-style-type: none"> - Board to board / steel angle: minimum M4 - 70mm self tapping screws at 200mm centres. Allow 10 to 15mm from edges of Maxilite board. - Steel angle to masonry or concrete: minimum M6 anchor bolts at 400mm centres. - Steel angle to plasterboard: minimum M4 - 70mm self tapping screws at 400mm centres.

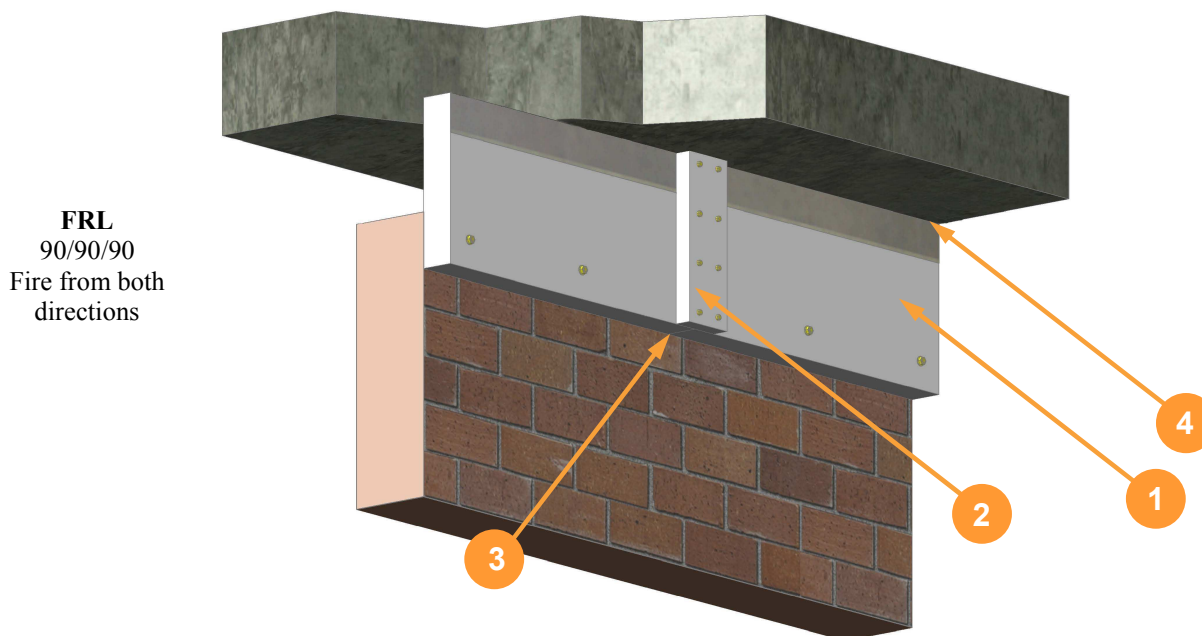
BULKHEAD — VERTICAL

Head of Wall upgrade

30mm thick Maxilite boards, up to 1500mm high



Self-supporting system



Key:

- 1 Maxilite boards, 30mm thick (or equivalent laminated thickness)
- 2 Cover Strips
- 3 Butt joint detail options
- 4 Control joint

Maxilite board	30mm thick Maxilite board for 90 minute fire rating. Maxilite boards are fixed directly to the wall but not fixed to the slab above. Ensure a minimum of 10mm nominal gap is maintained between the slab and the Maxilite board to allow for building movement. Boards are joined together using butt joint details shown above (as applicable) incorporating approved fire mastic in all joints.
Joints (longitudinal)	Longitudinal joints between Maxilite boards consist of butt joint detail incorporating approved fire mastic. Cover strips are then fixed over the joint as shown above.
Cover strips	20 or 30mm Maxilite or 9mm Orbit FR x 100mm wide fixed to outside of joint. Strips are secured to both sides of the joint at max. 200mm centres.
Fixings	<ul style="list-style-type: none"> - Board to board / steel angle: minimum M4-70mm self tapping screws at 200mm centres. Allow 10 to 15mm from edges of Maxilite board. - Steel angle to masonry or concrete: minimum M6 anchor bolts at 400mm centres. - Steel angle to plasterboard: minimum M4-70mm self tapping screws at 400mm centres.

BULKHEAD-HEAD OF WALL