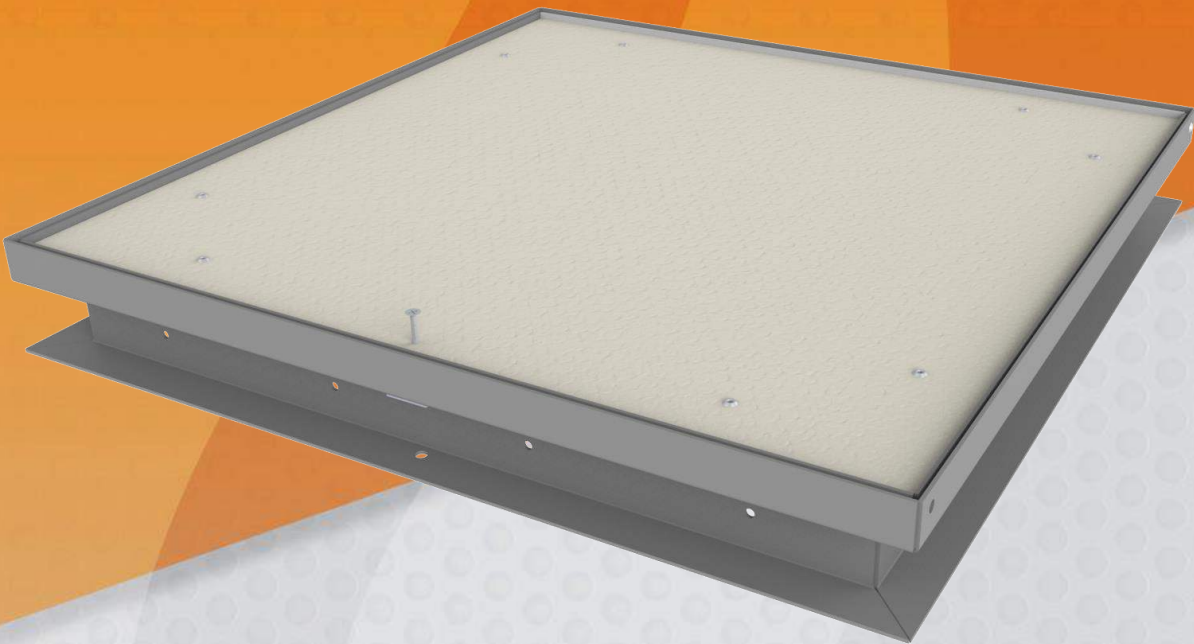


TILEABLE

ACCESS PANELS (TPM)



Trafalgar has the most extensive range of access panels available:

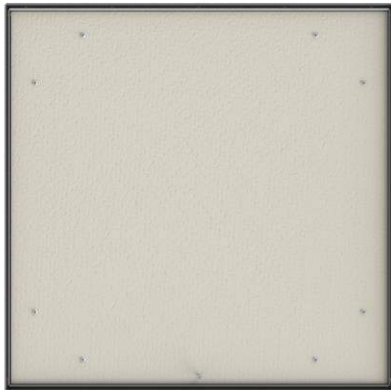
Small Sizes | Large Sizes | Custom Sizes
Tileable | Security | Acoustic | Fire Rated
Stainless Steel | Upward Opening | MDF
Touch Latch | Customwood | Service Shaft

TILEABLE

Access Panels (TPM)

Product Overview

Trafalgar Tileable Access Panels are manufactured in Australia and have been designed for use where an access panel is required to be discretely installed into a tiled wall or ceiling. Trafalgar TPM panels are constructed using a fibre cement door and corrosion resistant steel frame allowing a wide range of tiles to be fitted. A stainless steel option is available for harsh environments.



For use into tiled surfaces whilst maintaining an architecturally pleasing finish.

Due to the nature of these panels, custom sizes and frame depths are available to suit a range of tile sizes and quantities. They feature a simple and reliable screw fixing as standard, however a key lock option is also available.

When installed, Trafalgar TPM panels sit flush with the surface leaving a neat opening around the perimeter.

It is easier to design and order standard sizes as these are readily available and competitively priced. However, other sizes can be manufactured to order.

Access panels are typically installed during construction, but they can also be retro-fitted when additional access is required.

Trafalgar specialise in manufacturing large custom size access panels with varying hinge and lock options to meet architectural specifications.

TILEABLE

Access Panels (TPM)

Technical Specifications

PRODUCT DESCRIPTION

Door Panel Rot resistant fibre cement.

Frame Corrosion resistant pre-primed steel.
Stainless steel optional.

Tile and Glue Depth Less than 12mm
Less than 20mm
Less than 30mm

Low profile frame available.

Cut-Out Size Cut out a hole in the ceiling, wall or service shaft the same size as the access panel. For example, a 450x450 access panel will have a 450x450 cut out.

Hinge Concealed pin hinges.
Piano hinges optional. (For larger size panels piano hinges will be required).

Lock Screw fixed lock.
Cam key lock optional.

Also Available Trafalgar can custom manufacture to meet your specifications. Trafalgar also supply a comprehensive range of fire rated, metal, customwood, acoustic, security and speciality access panels.



TPM Tileable Access Panel in wall.



Above images show full profile frame panel with tiles inserted. Trafalgar TPM panels do not come with tiles inserted.

TILEABLE

Access Panels (TPM)

Ordering Information



TPM PANELS

- Clean architectural finish
- Key lock option available.
- Custom sizes available to suit tile sizes and depth.
- Stainless steel option available.

TILEABLE ACCESS PANELS

Code	Size (mm)	Panel	Rating	Frame
<u>STANDARD SIZES</u>				
TPM-200	200 x 200	Fibre Cement	Non-rated	Concealed
TPM-300	300 x 300			
TPM-400	400 x 400			
TPM-450	450 x 450			
TPM-550	550 x 550			
TPM-600	600 x 600			
TPM-6040	600 x 400			
TPM-12060	1200 x 600			
<u>CUSTOM SIZES</u>				
TPM-Custom	Recommend any size up to 1500 high			

Contact Trafalgar to discuss larger panel size requirements.

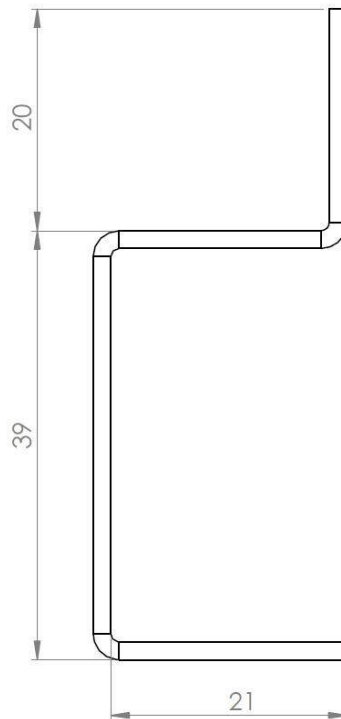
Trafalgar Tileable Access Panels must be installed into ceilings and walls in positions indicated on the architectural drawings, and in accordance with Trafalgar's installation instructions.

TILEABLE

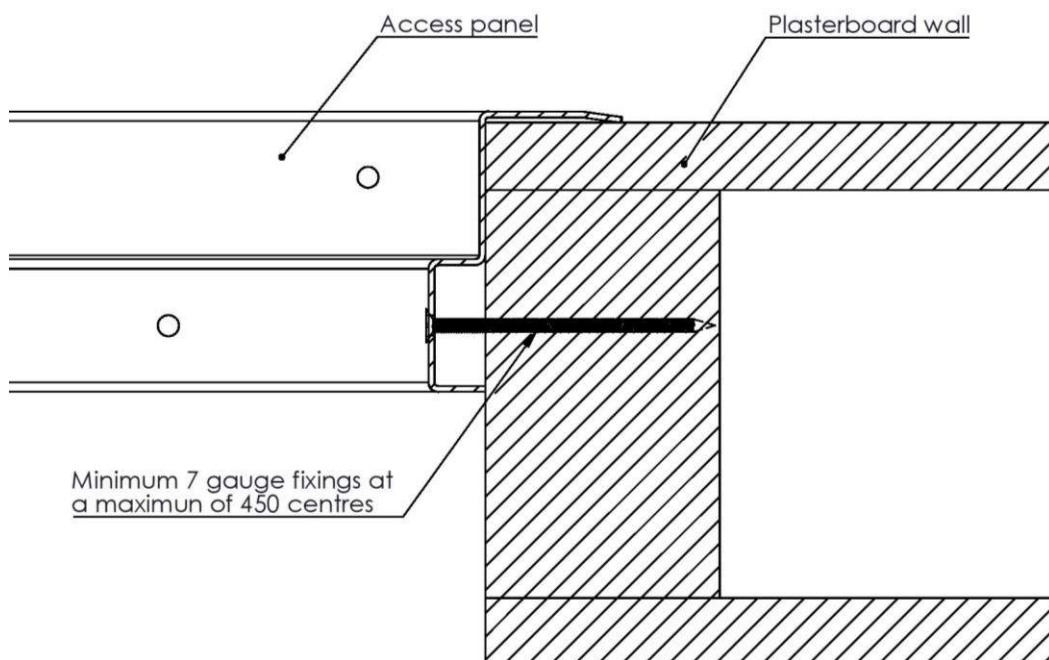
Access Panels (TPM)

Installation Instructions

TPM - Profile Details



TPM - Plasterboard Install

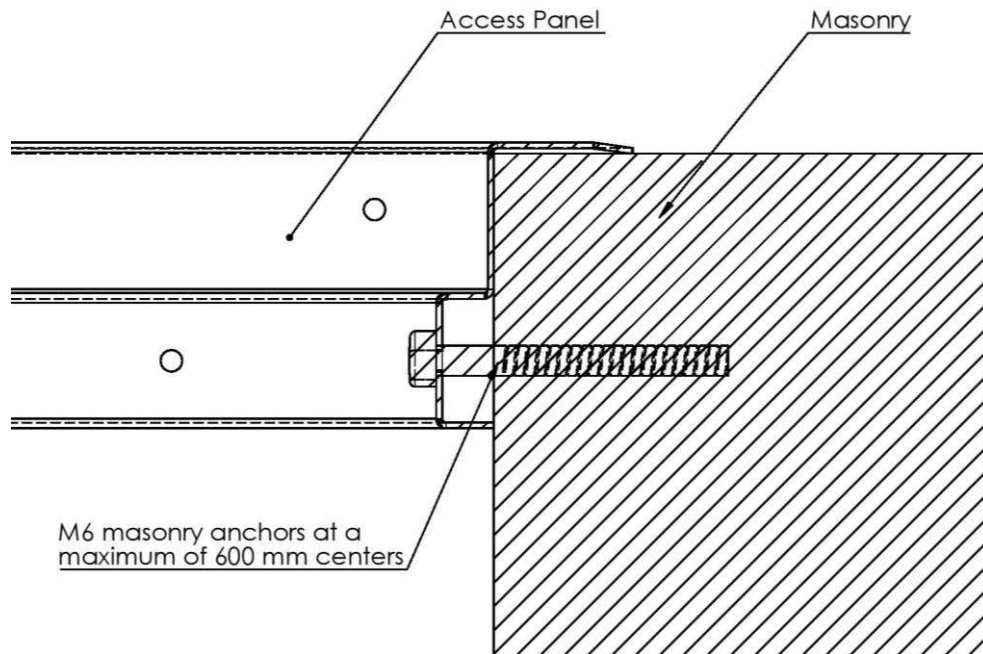


TILEABLE

Access Panels (TPM)

Installation Instructions

TPM - Masonry Install



Installation Instructions

1. Mark out and cut an opening in the ceiling or wall to suit the dimensions of the access panel (eg. 450 x 450), taking into account the position of existing joists.
2. With the hatch of the access panel open, insert the panel into position and fix through the fixing holes in the frame into the surrounding framework, with fixings as detailed in the drawings above.



Trafalgar has developed a range of **installation videos** to assist our customers. To view these step by step install videos please go to www.youtube.com and search for **Trafalgar TV**.
Subscribe and you will be notified when new videos are uploaded.

Trafalgar reserves the right to change specifications without notice. Please check with your supplier at the time of order. The information contained in this brochure was correct at the time of print. E&OE. Published 01.09.15