



# ACOUSTIC

CUSTOMWOOD ACCESS PANELS (Rw31C)



Trafalgar has the most extensive range of access panels available:

Small Sizes | Large Sizes | Custom Sizes  
Tileable | Security | Acoustic | Fire Rated  
Stainless Steel | Upward Opening | MDF  
Touch Latch | Customwood | Service Shaft

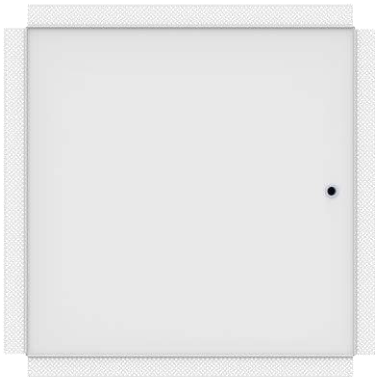
[taccess.com.au](http://taccess.com.au)

# ACOUSTIC

Customwood Access Panels (Rw31C)

## Product Overview

**Trafalgar Rw31C Customwood Acoustic Access Panels** are manufactured in Australia and have been designed for use where there is a noise transmission issue. They are used where convenient access is required into walls, ceilings and service shafts where an acoustic rating is necessary. Trafalgar Rw31C panels have been independently tested and achieve a modest rating of Rw 31 in suitable openings.



For use when an acoustic rating is necessary.

Rating: Rw 31

These panels are constructed using a white primed MDF panel door, steel frame and concealed hinges. They are secured with an allen key style lock as standard, however a key lock option is also available.

When installed, Trafalgar Rw31C panels sit flush with the surface leaving a neat opening around the perimeter.

It is easier to design and order standard sizes as these are readily available and competitively priced.

However, other sizes can be manufactured to order.

Access panels are typically installed during construction, but they can also be retro-fitted when additional access is required.

**Trafalgar specialise in manufacturing large custom size access panels**

with varying hinge and lock options to meet architectural specifications.

# ACOUSTIC

Customwood Access Panels (Rw31C)

# Technical Specifications

## PRODUCT DESCRIPTION

**Rating** Rw 31

**Door Panel** White primed MDF panel door with galvanised back plate and acoustic seal.

**Frame** Pre-primed steel. White as standard. Grey frame optional. Stainless steel frame optional.

**Frame Depth** 60mm

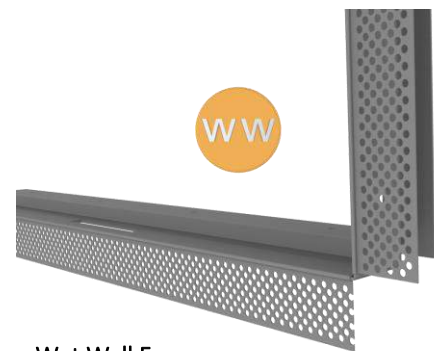
**Cut-Out Size** Cut out a hole in the ceiling, wall or service shaft the same size as the access panel. For example, a 450x450 access panel will have a 450x450 cut out.

**Frame Types** Flanged Edge (FE) or Wet Wall (WW)

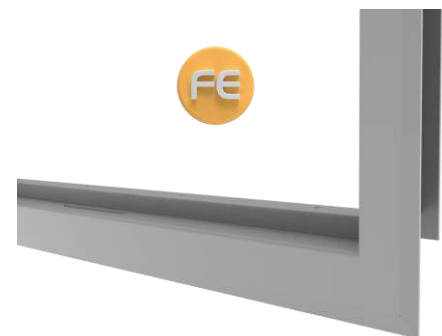
**Hinge** Concealed hinges.

**Lock** Budget square key lock as standard (Allen key style lock). Key lock option available.

**Also Available** Trafalgar can custom manufacture to meet your specifications. Trafalgar also supply a comprehensive range of fire rated, metal, customwood, security and speciality access panels.



**Wet Wall Frame**  
(Set bead for plastering in)



**Flanged Edge Frame**  
(Architrave / picture frame)

# ACOUSTIC

Customwood Access Panels (Rw31C)



# Ordering Information

## Rw31C PANELS

- Sound containment properties – Acoustic Rating Rw 31.
- Key lock option available.
- For use where there is a noise transmission issue.

### Rw31C METAL ACOUSTIC ACCESS PANELS

Code	Size (mm)	Panel	Rating	Frame
<b>STANDARD SIZES</b>				
Rw31C-200-FE	200 x 200	Primed White MDF Panel	Rw 31	Flanged Edge (Architrave)
Rw31C-300-FE	300 x 300			
Rw31C-400-FE	400 x 400			
Rw31C-450-FE	450 x 450			
Rw31C-550-FE	550 x 550			
Rw31C-600-FE	600 x 600			
Rw31C-6040-FE	600 x 400			
Rw31C-12060-FE	1200 x 600			
<b>CUSTOM SIZES</b>				
Rw31C-Custom-FE	Recommend any size up to 1800 high			
<b>STANDARD SIZES</b>				
Rw31C-200-WW	200 x 200	Metal White MDF Panel	Rw 31	Wet Wall (Set bead to plaster in)
Rw31C-300-WW	300 x 300			
Rw31C-400-WW	400 x 400			
Rw31C-450-WW	450 x 450			
Rw31C-550-WW	550 x 550			
Rw31C-600-WW	600 x 600			
Rw31C-6040-WW	600 x 400			
Rw31C-12060-WW	1200 x 600			
<b>CUSTOM SIZES</b>				
Rw31C-Custom-WW	Recommend any size up to 1800 high			

Contact Trafalgar to discuss larger panel size requirements.

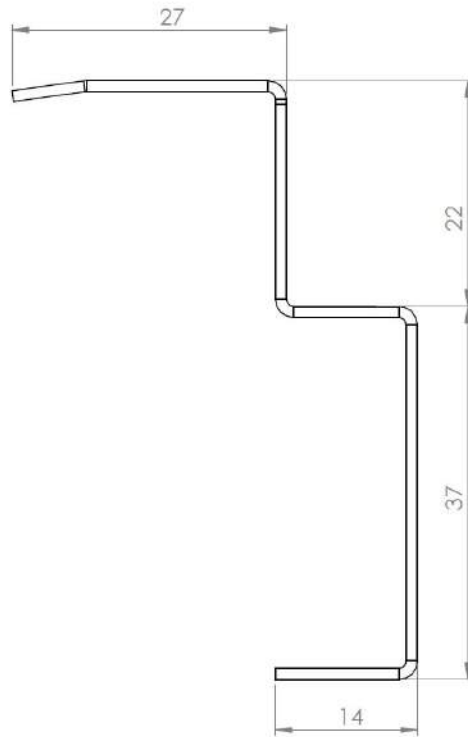
Trafalgar Rw31C Access Panels must be installed into ceilings, walls and service shafts in positions indicated on the architectural drawings, and in accordance with Trafalgar's installation instructions.

# ACOUSTIC

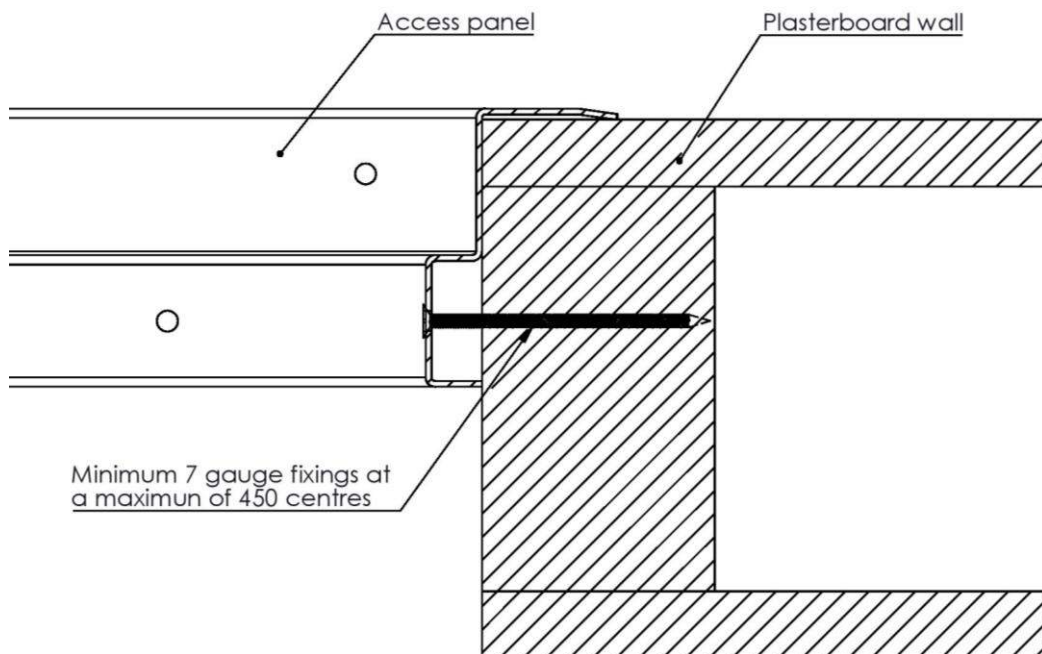
Customwood Access Panels (Rw31C)

# Installation Instructions

## Rw31C - Profile Details



## Rw31C - Plasterboard Install

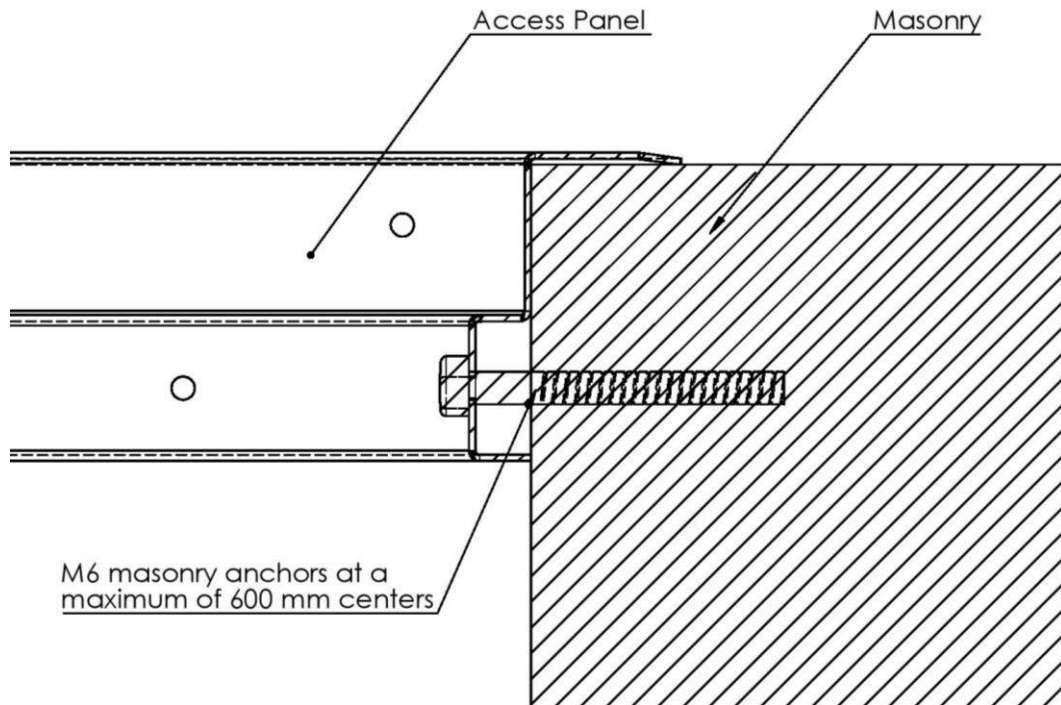


# ACOUSTIC

Customwood Access Panels (Rw31C)

# Installation Instructions

## Rw31C - Masonry Install



## Installation Instructions

1. Mark out and cut an opening in the ceiling or wall to suit the dimensions of the access panel (eg. 450 x 450), taking into account the position of existing joists.
2. With the hatch of the access panel open, insert the panel into position and fix through the fixing holes in the frame into the surrounding framework, with fixings as detailed in the drawings above.
3. Trafalgar FyreFlex Sealant is required to seal any gaps between the panel frame and wall or ceiling.



Trafalgar has developed a range of **installation videos** to assist our customers. To view these step by step install videos please go to [www.youtube.com](http://www.youtube.com) and search for **Trafalgar TV**.  
Subscribe and you will be notified when new videos are uploaded.

Trafalgar reserves the right to change specifications without notice. Please check with your supplier at the time of order. The information contained in this brochure was correct at the time of print. E&OE. Published 01.09.15