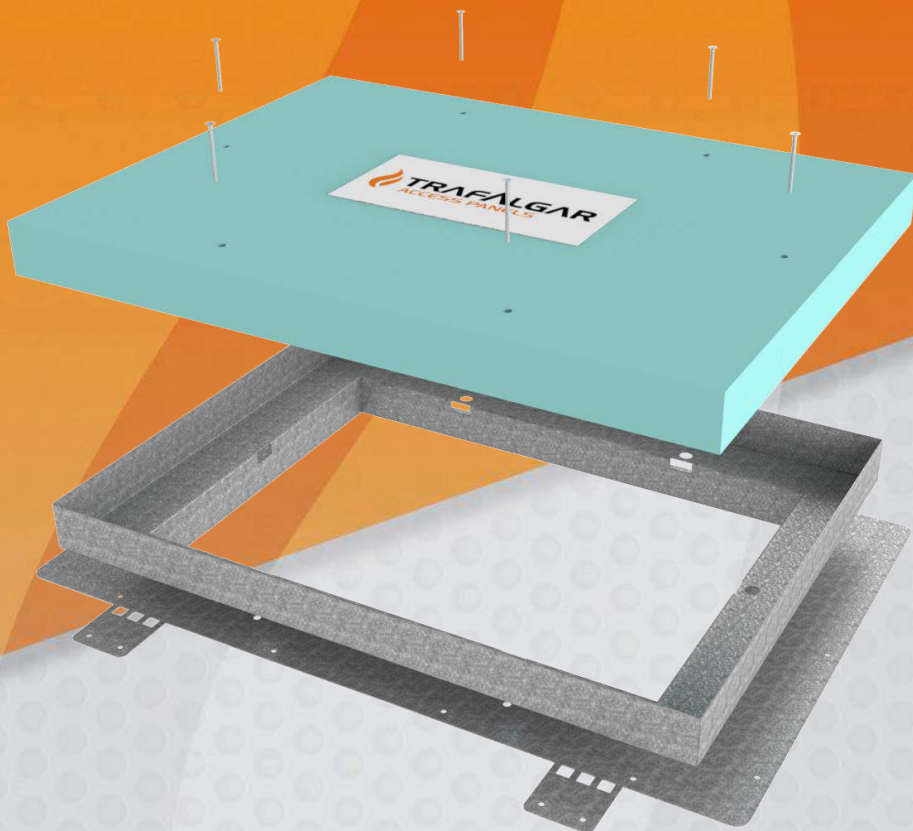




FYREWRAP[®]

ACCESS PANELS (FWAP)



Trafalgar has the most extensive range of access panels available:

Small Sizes | Large Sizes | Custom Sizes
Tileable | Security | Acoustic | Fire Rated
Stainless Steel | Upward Opening | MDF
Touch Latch | Customwood | Service Shaft

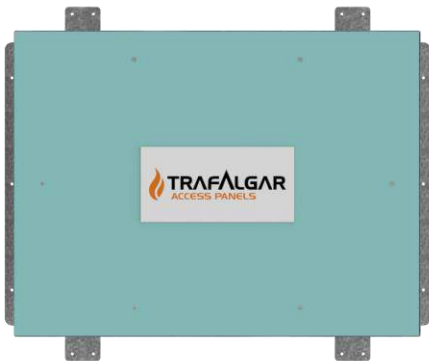
taccess.com.au

FYREWRAP®

Access Panels (FWAP)

Product Overview

Trafalgar FyreWrap Access Panels are a patented system designed for use on ducts protected by the innovative FyreWrap® system. These panels form part of a fully certified system to AS1530.4 to provide fire ratings on ducts and allow access for the purpose of inspection, service, repair or replacement of internal equipment such as filters, volume control devices, dampers and fans.



Patented, bendable
fastening tabs for
slimline ducts.

The patented design of Trafalgar's FyreWrap Access Panels, include a number of features and benefits to ensure complete flexibility and ease of installation.

These panels are simply installed by fitting directly over the existing 'duct access panel' and fixed to the duct using rivets through a series of pre-drilled holes.

Trafalgar FyreWrap Access Panels provide additional flexibility on site as they can be either pre-installed or easily retro-fitted.

Trafalgar specialise in manufacturing large custom size access panels with varying hinge and lock options to meet architectural specifications.

FYREWRAP®

Access Panels (FWAP)

Technical Specifications

PRODUCT DESCRIPTION

FIRE RATING 1 Layer -/120/120
2 Layer -/180/180

Door Panel Paint grade green hardboard Trafalgar panel incorporating Maxilite high performance fire rated board.

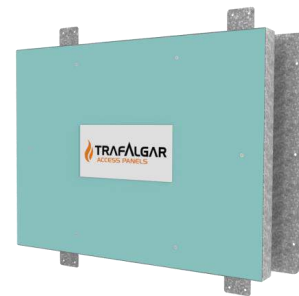
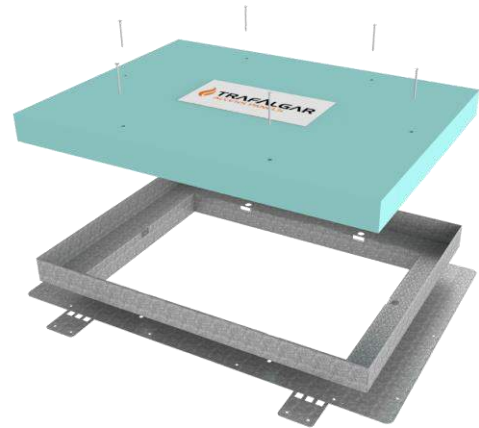
Frame Welded, galvanised steel.

Feature patented and bendable fastening tabs.

Fixing Screw fixed using re-usable screw fixings which are an integral part of the product design.

Also Available Trafalgar can custom manufacture to meet your specifications.

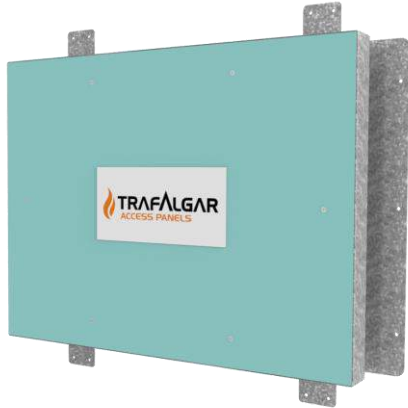
Trafalgar also supply a comprehensive range of metal, acoustic, customwood, security and speciality access panels.



FYREWRAF®

Access Panels (FWAP)

Ordering Information



1 LAYER FWAP

- Designed for use on ducts protected by the innovative FyreWrap® system.
- Screw fixed using re-usable screw fixings.
- Patented, bendable fastening tabs for slimline ducts.

1 LAYER - FYREWRAF ACCESS PANELS

Code	Internal Opening Size (mm)	To Suit	FyreWrap System
<u>STANDARD SIZES</u>			
FWAP-1L-AP0	708 x 558	AP0	1 Layer
FWAP-1L-AP1	558 x 433	AP1	
FWAP-1L-AP2	433 x 301	AP2	
FWAP-1L-AP3	304 x 214	AP3	
<u>CUSTOM SIZES</u>			
FWAP-1L-CUSTOM	Custom	Custom	

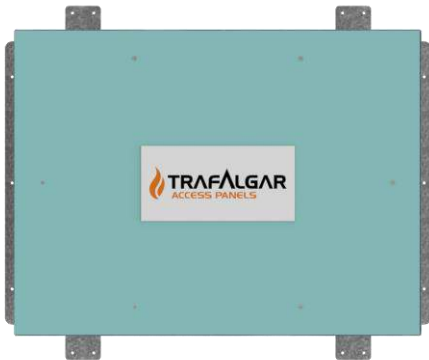
This is based on the standard size Bullocks dampers as stipulated in the above table.

Trafalgar FyreWrap Access Panels must be installed onto ducts protected by the innovative FyreWrap® system, and in accordance with Trafalgar's installation instructions.

FYREWRAF®

Access Panels (FWAP)

Ordering Information



2 LAYER FWAP

- Designed for use on ducts protected by the innovative FyreWrap® system.
- Screw fixed using re-usable screw fixings.
- Patented, bendable fastening tabs for slimline ducts.

2 LAYER - FYREWRAF ACCESS PANELS

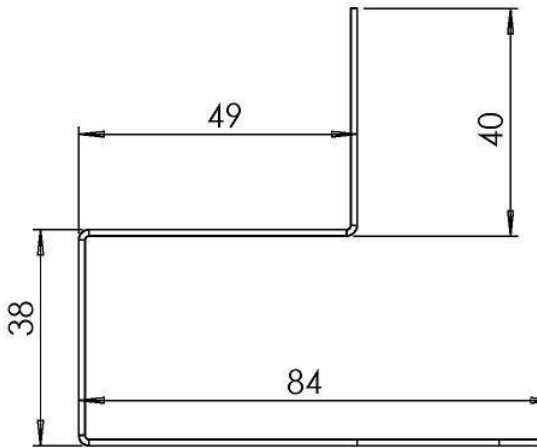
Code	Internal Opening Size (mm)	To Suit	FyreWrap System
<u>STANDARD SIZES</u>			
FWAP-2L-AP0	708 x 558	AP0	2 Layer
FWAP-2L-AP1	558 x 433	AP1	
FWAP-2L-AP2	433 x 301	AP2	
FWAP-2L-AP3	304 x 214	AP3	
<u>CUSTOM SIZES</u>			
FWAP-2L-CUSTOM	Custom	Custom	

This is based on the standard size Bullocks dampers as stipulated in the above table.

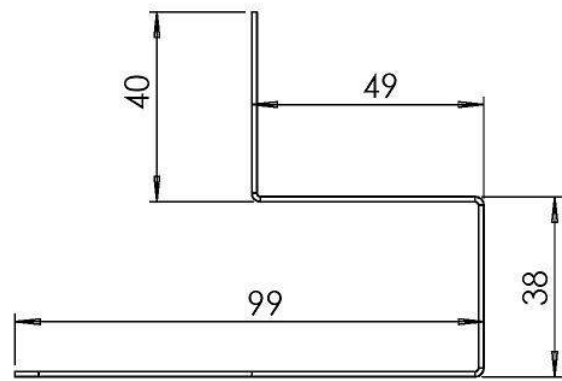
Trafalgar FyreWrap Access Panels must be installed onto ducts protected by the innovative FyreWrap® system, and in accordance with Trafalgar's installation instructions.

FWAP – Profile Details

1 LAYER

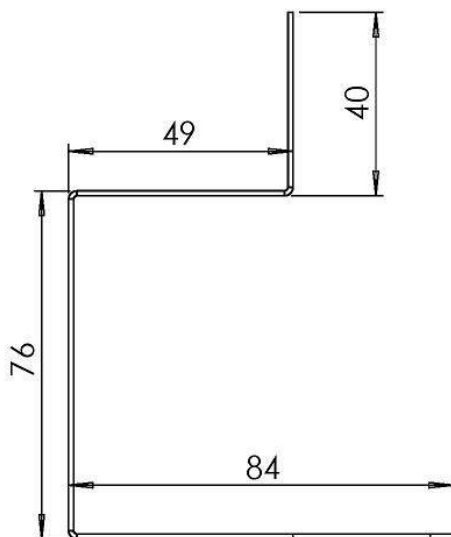


Front and Back

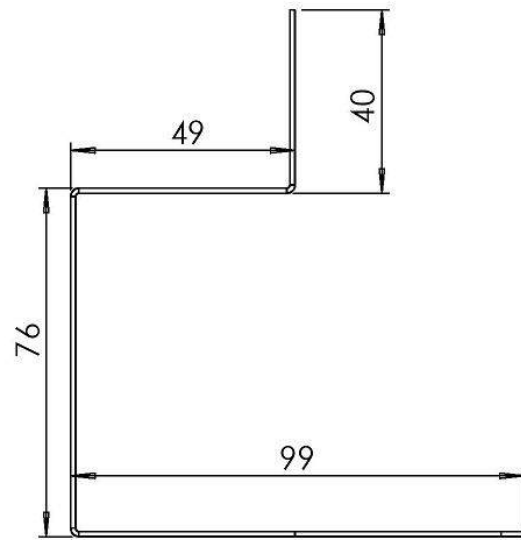


Sides

2 LAYER



Front and Back



Sides

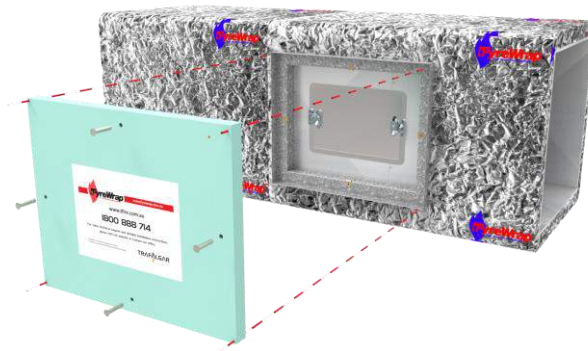
FYREWRAF

Access Panels (FWAP)

Installation Instructions

Installation Instructions

1. Install standard non fire-rated access panel as per the manufacturer requirements.
2. Remove door panel from the FyreWrap Access Panel (FWAP).
3. Using the preformed holes in the FWAP frame, drill and fix (using **steel rivets or self-tapping screws only**) the frame to the ductwork.
 - * Fixings are required at maximum 300mm spacing.
 - * If required for low profile ductwork, the top and bottom fold-over tabs can be folded over and fixed through the top/bottom side of the ducting.
4. Replace the FWAP door panel, ensuring that all screws are present and tight.
5. Install FyreWrap Elite 1.5 according to FyreWrap installation instructions, ensuring that the material is fit snugly into the provided recess in the FWAP frame on all sides.



Trafalgar has developed a range of **installation videos** to assist our customers. To view these step by step install videos please go to www.youtube.com and search for **Trafalgar TV**. Subscribe and you will be notified when new videos are uploaded.

Trafalgar reserves the right to change specifications without notice. Please check with your supplier at the time of order. The information contained in this brochure was correct at the time of print. E&OE. Published 01.09.15. FyreWrap® is a registered trademark of Unifrax.