



CUSTOMWOOD

ACCESS PANELS (APC)

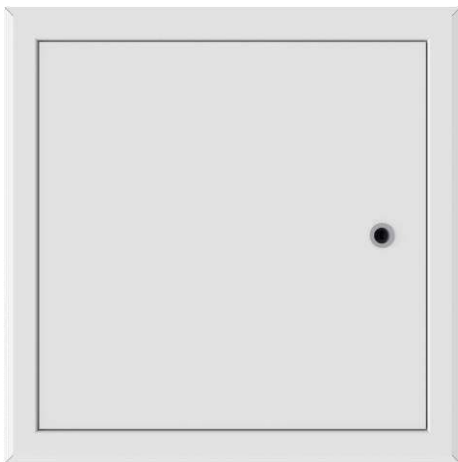


Trafalgar has the most extensive range of access panels available:

Small Sizes | Large Sizes | Custom Sizes
Tileable | Security | Acoustic | Fire Rated
Stainless Steel | Upward Opening | MDF
Touch Latch | Customwood | Service Shaft

taccess.com.au

Trafalgar Customwood Access Panels are manufactured in Australia and have been designed for use where there is neither an acoustic or fire rating requirement. They are constructed using a white primed MDF panel door and steel frame, and are secured with an allen key style lock as standard, however a key lock option is also available. They can also be purchased in non-lockable form which feature concealed touch latches.



Trafalgar also manufacture large sizes.

Trafalgar APC panels are lightweight and compact, allowing for an aesthetically pleasing means of providing access into walls, ceilings and service shafts. When installed they sit flush with the surface leaving a neat opening around the perimeter.

It is easier to design and order standard sizes as these are readily available and competitively priced.

However, other sizes can be manufactured to order.

Access panels are typically installed during construction, but they can also be retro-fitted when additional access is required.

Trafalgar specialise in manufacturing large custom size access panels

with varying hinge and lock options to meet architectural specifications.

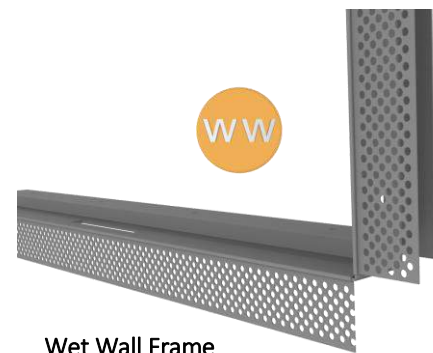
CUSTOMWOOD

Access Panels (APC)

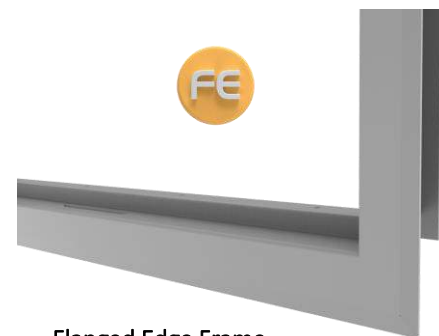
Technical Specifications

PRODUCT DESCRIPTION

Door Panel	White primed MDF panel door.
Frame	Pre-primed steel. White as standard. Grey frame optional.
Frame Depth	60mm
Cut-Out Size	Cut out a hole in the ceiling, wall or service shaft the same size as the access panel. For example, a 450x450 access panel will have a 450x450 cut out.
Frame Types	Flanged Edge (FE) or Wet Wall (WW)
Hinge	Concealed hinges.
Lock	Budget square key lock as standard (Allen key style lock). Key lock optional. Touch latch optional (non-lockable).
Also Available	Trafalgar can custom manufacture to meet your specifications. Trafalgar also supply a comprehensive range of fire rated, metal, acoustic, security and speciality access panels.



Wet Wall Frame
(Set bead for plastering in)



Flanged Edge Frame
(Architrave / picture frame)

CUSTOMWOOD

Access Panels (APC)

Ordering Information



APC PANELS

- Australian made - superior quality.
- Key lock options available.
- Trafalgar specialise in custom sizes.
- Fully primed.

CUSTOMWOOD ACCESS PANELS

Code	Size (mm)	Panel	Rating	Frame
<u>STANDARD SIZES</u>				
APC-200-FE	200 x 200	Primed White MDF Panel	Non-rated	Flanged Edge (Architrave)
APC-300-FE	300 x 300			
APC-400-FE	400 x 400			
APC-450-FE	450 x 450			
APC-550-FE	550 x 550			
APC-600-FE	600 x 600			
APC-6040-FE	600 x 400			
APC-12060-FE	1200 x 600			
<u>CUSTOM SIZES</u>				
APC-Custom-FE	Recommend any size up to 2400 high (Single Door)			
<u>STANDARD SIZES</u>				
APC-200-WW	200 x 200	Primed White MDF Panel	Non-rated	Wet Wall (Set bead to plaster in)
APC-300-WW	300 x 300			
APC-400-WW	400 x 400			
APC-450-WW	450 x 450			
APC-550-WW	550 x 550			
APC-600-WW	600 x 600			
APC-6040-WW	600 x 400			
APC-12060-WW	1200 x 600			
<u>CUSTOM SIZES</u>				
APC-Custom-WW	Recommend any size up to 2400 high (Single Door)			

Contact Trafalgar to discuss larger panel size requirements.

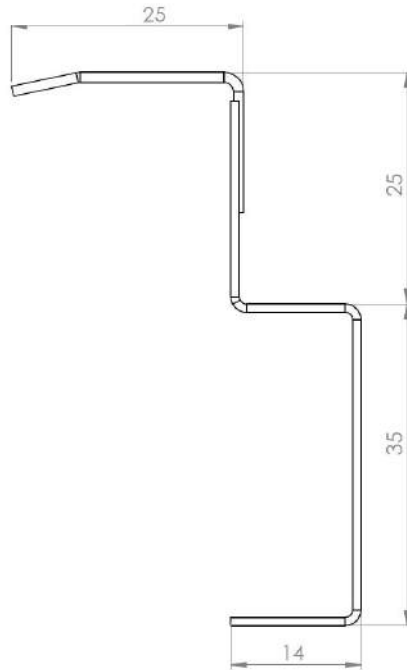
Trafalgar APC Access Panels must be installed into ceilings, walls and service shafts in positions indicated on the architectural drawings, and in accordance with Trafalgar's installation instructions.

CUSTOMWOOD

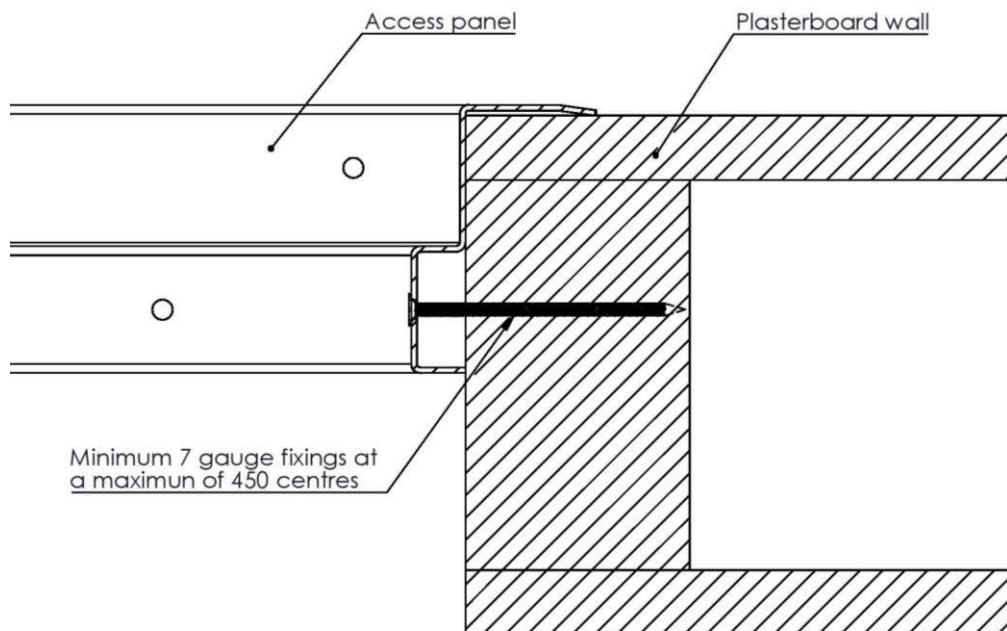
Access Panels (APC)

Installation Instructions

APC - Profile Details



APC - Plasterboard Install

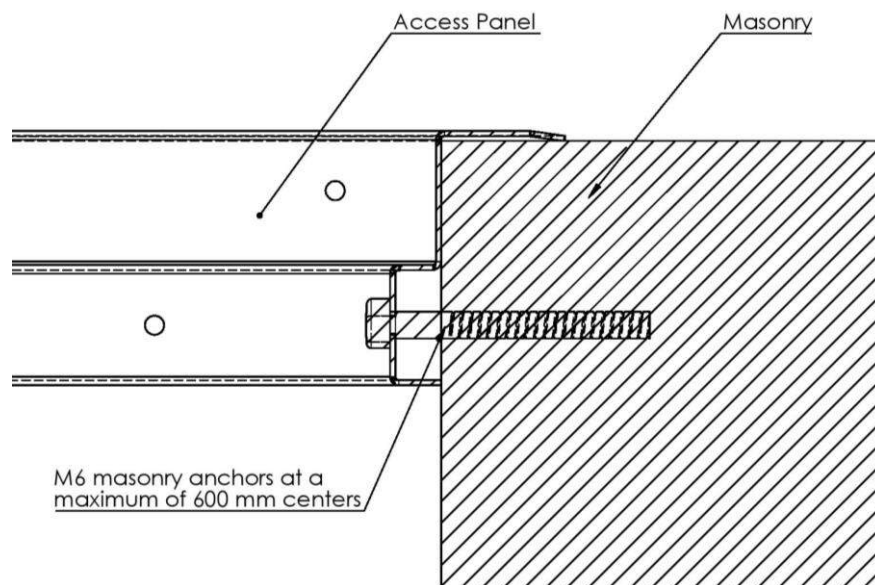


CUSTOMWOOD

Access Panels (APC)

Installation Instructions

APC - Masonry Install



Installation Instructions

1. Mark out and cut an opening in the ceiling or wall to suit the dimensions of the access panel (eg. 450 x 450), taking into account the position of existing joists.
2. With the hatch of the access panel open, insert the panel into position and fix through the fixing holes in the frame into the surrounding framework, with fixings as detailed in the drawings above.



Trafalgar has developed a range of **installation videos** to assist our customers. To view these step by step install videos please go to www.youtube.com and search for **Trafalgar TV**. Subscribe and you will be notified when new videos are uploaded.

Trafalgar reserves the right to change specifications without notice. Please check with your supplier at the time of order. The information contained in this brochure was correct at the time of print. E&OE. Published 01.09.15