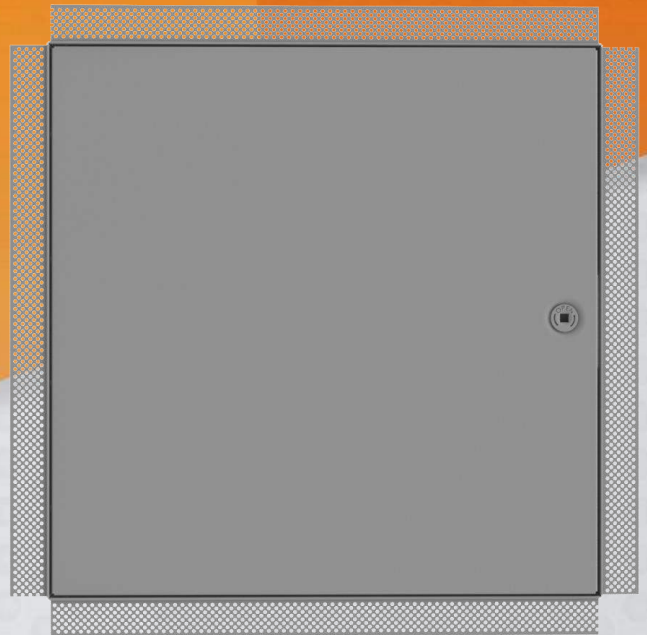
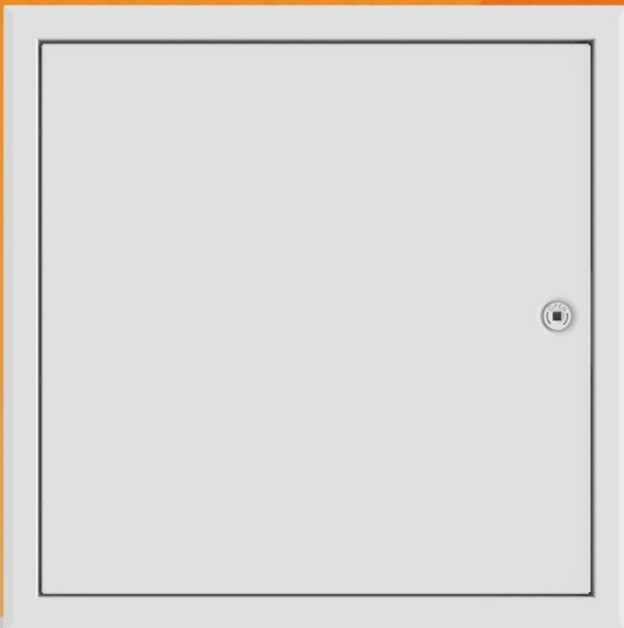


METAL

ACCESS PANELS (APM)



Trafalgar has the most extensive range of access panels available:

Small Sizes | Large Sizes | Custom Sizes
Tileable | Security | Acoustic | Fire Rated
Stainless Steel | Upward Opening | MDF
Touch Latch | Customwood | Service Shaft

METAL

Access Panels (APM)

Product Overview

Trafalgar Metal Access Panels are manufactured in Australia and have been designed for use where there is neither an acoustic or fire rating requirement. They are constructed using a pre-primed steel panel door and frame, and are secured with an allen key style lock as standard, however a key lock option is also available. They can also be purchased in non-lockable form which feature concealed touch latches.



Trafalgar also manufacture large double door metal access panels.

Trafalgar APM panels are lightweight and compact, allowing for an aesthetically pleasing means of providing access into walls, ceilings and service shafts. When installed they sit flush with the surface leaving a neat opening around the perimeter.

It is easier to design and order standard sizes as these are readily available and competitively priced.

However, other sizes can be manufactured to order.

Access panels are typically installed during construction, but they can also be retro-fitted when additional access is required.

Trafalgar specialise in manufacturing large custom size access panels

with varying hinge and lock options to meet architectural specifications.

METAL

Access Panels (APM)

Technical Specifications

PRODUCT DESCRIPTION

Door Panel and Frame Pre-primed steel. White as standard. Grey optional. Stainless steel optional.

Frame Depth Full Frame 54mm
Low Profile 30mm

Cut-Out Size Cut out a hole in the ceiling, wall or service shaft the same size as the access panel. For example, a 450x450 access panel will have a 450x450 cut out.

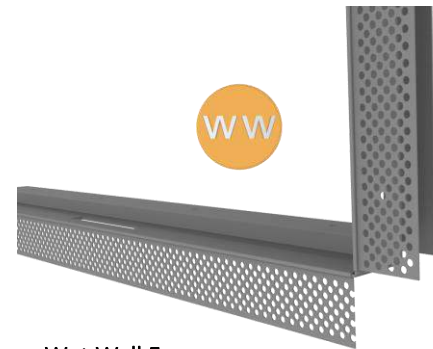
Frame Types Flanged Edge (FE) or Wet Wall (WW)

Hinge Concealed pin hinges.
Piano hinges optional.

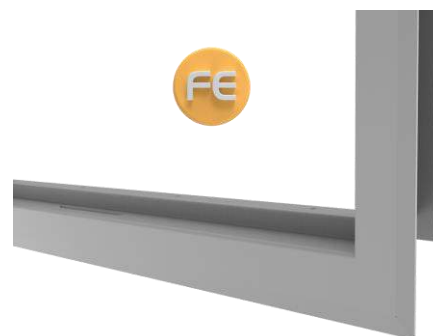
Lock Budget square key lock as standard (Allen key style lock).

Cam key lock optional.
Square cam lock optional.
Kaba Key Nightlatch optional.
Lockwood key lock optional.
Touch latch optional (non-lockable).

Also Available Trafalgar can custom manufacture to meet your specifications. Trafalgar also supply a comprehensive range of fire rated, customwood, acoustic, security and speciality access panels.



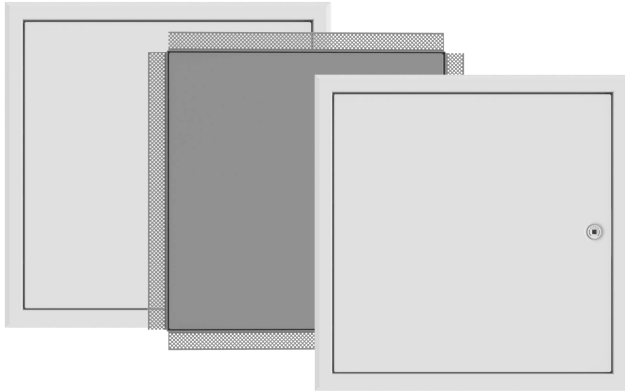
Wet Wall Frame
(Set bead for plastering in)



Flanged Edge Frame
(Architrave / picture frame)

METAL

Access Panels (APM)



Ordering Information

APM PANELS

- Australian made - superior quality.
- Key lock options available.
- Trafalgar specialise in custom sizes.
- Fully primed.

METAL ACCESS PANELS

| Code | Size (mm) | Panel | Rating | Frame |
|-----------------------|--|-----------|-----------|--------------------------------------|
| STANDARD SIZES | | | | |
| APM-200-FE | 200 x 200 | All Metal | Non-rated | Flanged Edge (Architrave) |
| APM-300-FE | 300 x 300 | | | |
| APM-400-FE | 400 x 400 | | | |
| APM-450-FE | 450 x 450 | | | |
| APM-550-FE | 550 x 550 | | | |
| APM-600-FE | 600 x 600 | | | |
| APM-6040-FE | 600 x 400 | | | |
| APM-12060-FE | 1200 x 600 | | | |
| CUSTOM SIZES | | | | |
| APM-Custom-FE | Recommend any size up to 2400 x 1100 (Single Door) 2400 x 2200 (Double Door) | | | |
| STANDARD SIZES | | | | |
| APM-200-WW | 200 x 200 | All Metal | Non-rated | Wet Wall (Set bead to plaster in) |
| APM-300-WW | 300 x 300 | | | |
| APM-400-WW | 400 x 400 | | | |
| APM-450-WW | 450 x 450 | | | |
| APM-550-WW | 550 x 550 | | | |
| APM-600-WW | 600 x 600 | | | |
| APM-6040-WW | 600 x 400 | | | |
| APM-12060-WW | 1200 x 600 | | | |
| CUSTOM SIZES | | | | |
| APM-Custom-WW | Recommend any size up to 2400 x 1100 (Single Door) 2400 x 2200 (Double Door) | | | |

Contact Trafalgar to discuss larger panel size requirements.

Trafalgar APM Access Panels must be installed into ceilings, walls and service shafts in positions indicated on the architectural drawings, and in accordance with Trafalgar's installation instructions.

METAL

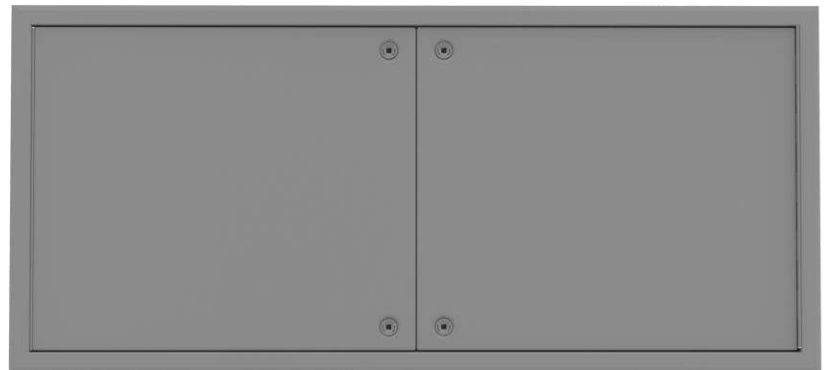
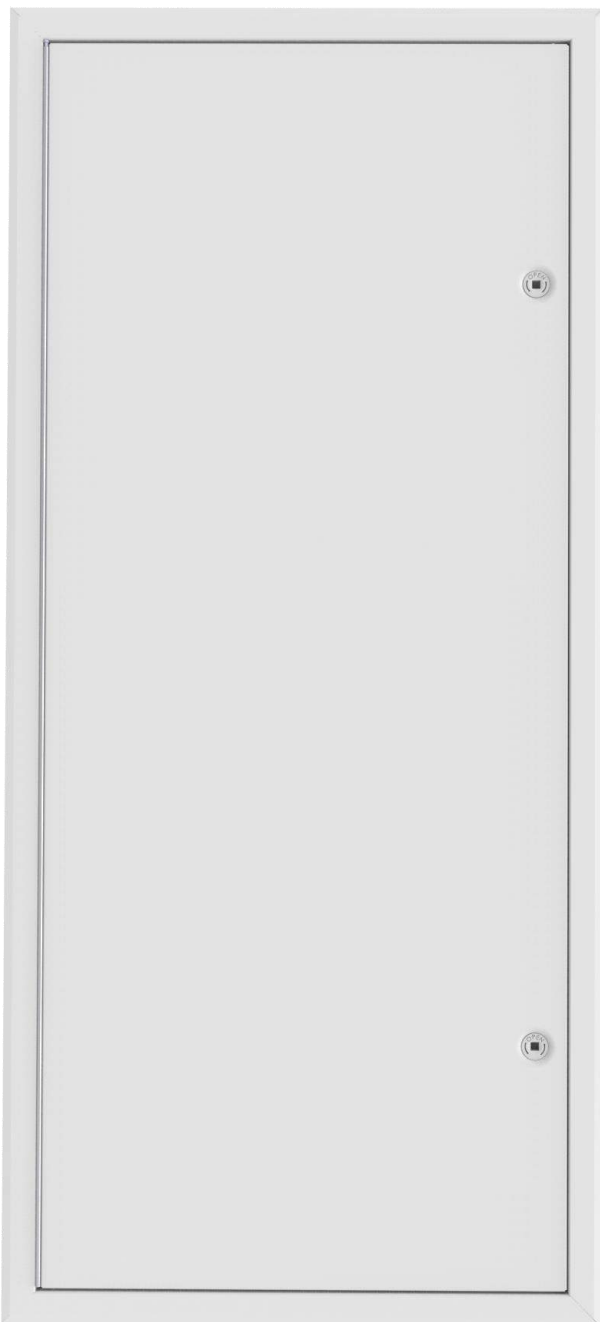
Access Panels (APM)

Large Size APM Panels

Trafalgar specialise in manufacturing large **custom size** access panels

with varying hinge and lock options to meet architectural specifications.

Contact Trafalgar today to discuss your requirements.

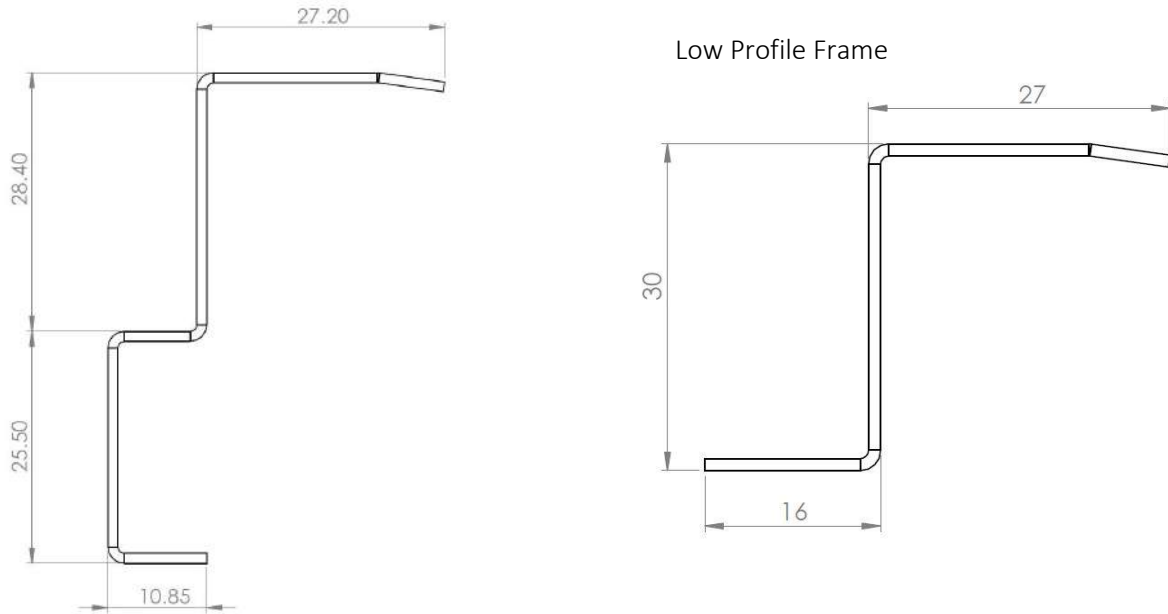


METAL

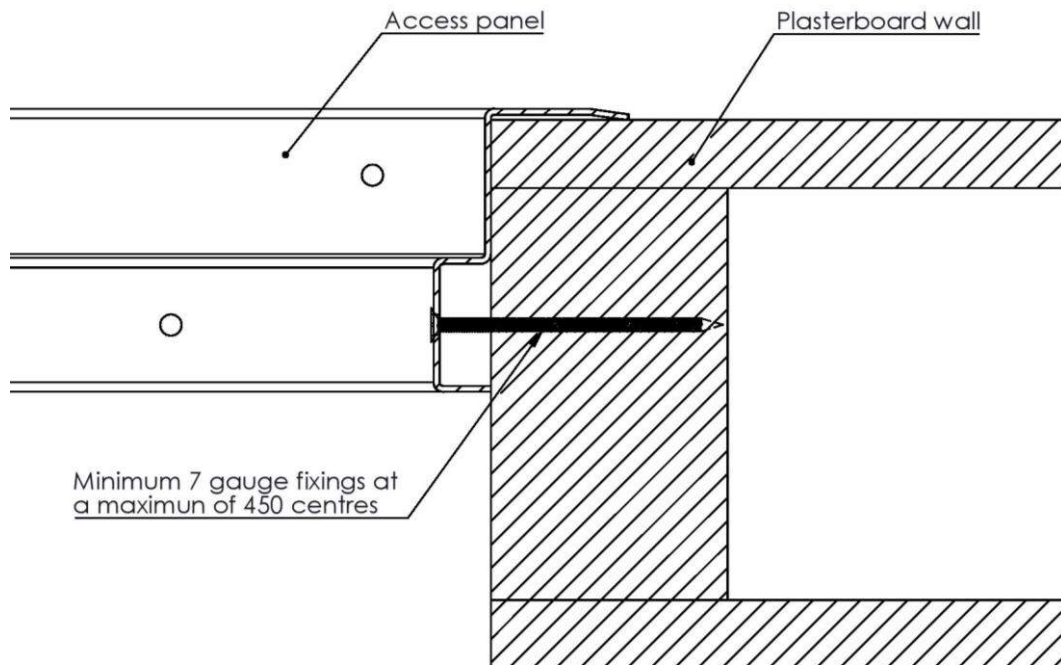
Access Panels (APM)

Installation Instructions

APM - Profile Details



APM - Plasterboard Install

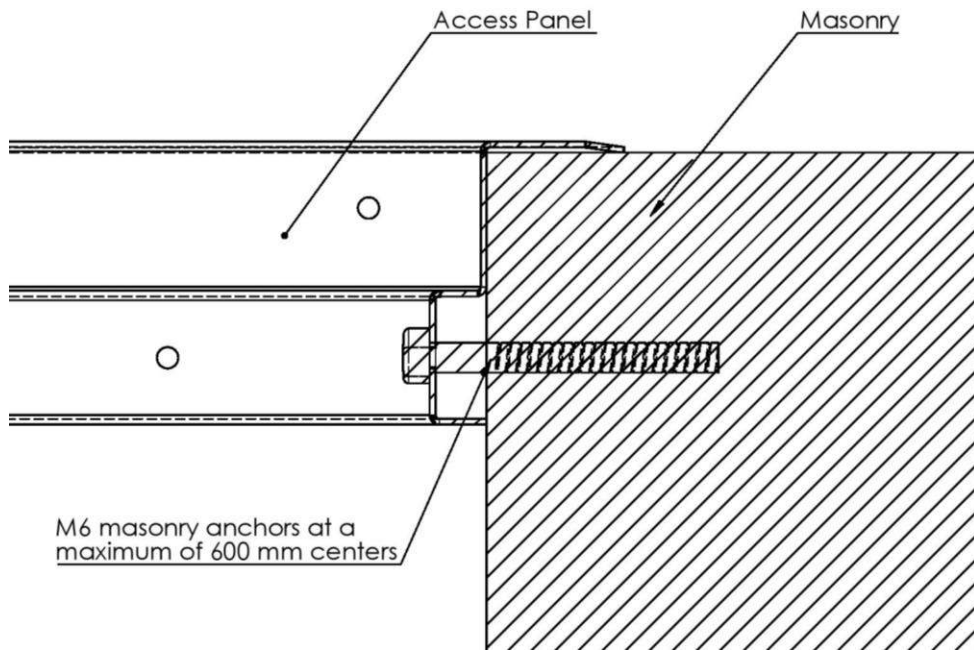


METAL

Access Panels (APM)

Installation Instructions

APM - Masonry Install



Installation Instructions

1. Mark out and cut an opening in the ceiling or wall to suit the dimensions of the access panel (eg. 450 x 450), taking into account the position of existing joists.
2. With the hatch of the access panel open, insert the panel into position and fix through the fixing holes in the frame into the surrounding framework, with fixings as detailed in the drawings above.



Trafalgar has developed a range of **installation videos** to assist our customers. To view these step by step install videos please go to www.youtube.com and search for **Trafalgar TV**. Subscribe and you will be notified when new videos are uploaded.

Trafalgar reserves the right to change specifications without notice. Please check with your supplier at the time of order. The information contained in this brochure was correct at the time of print. E&OE. Published 01.09.15